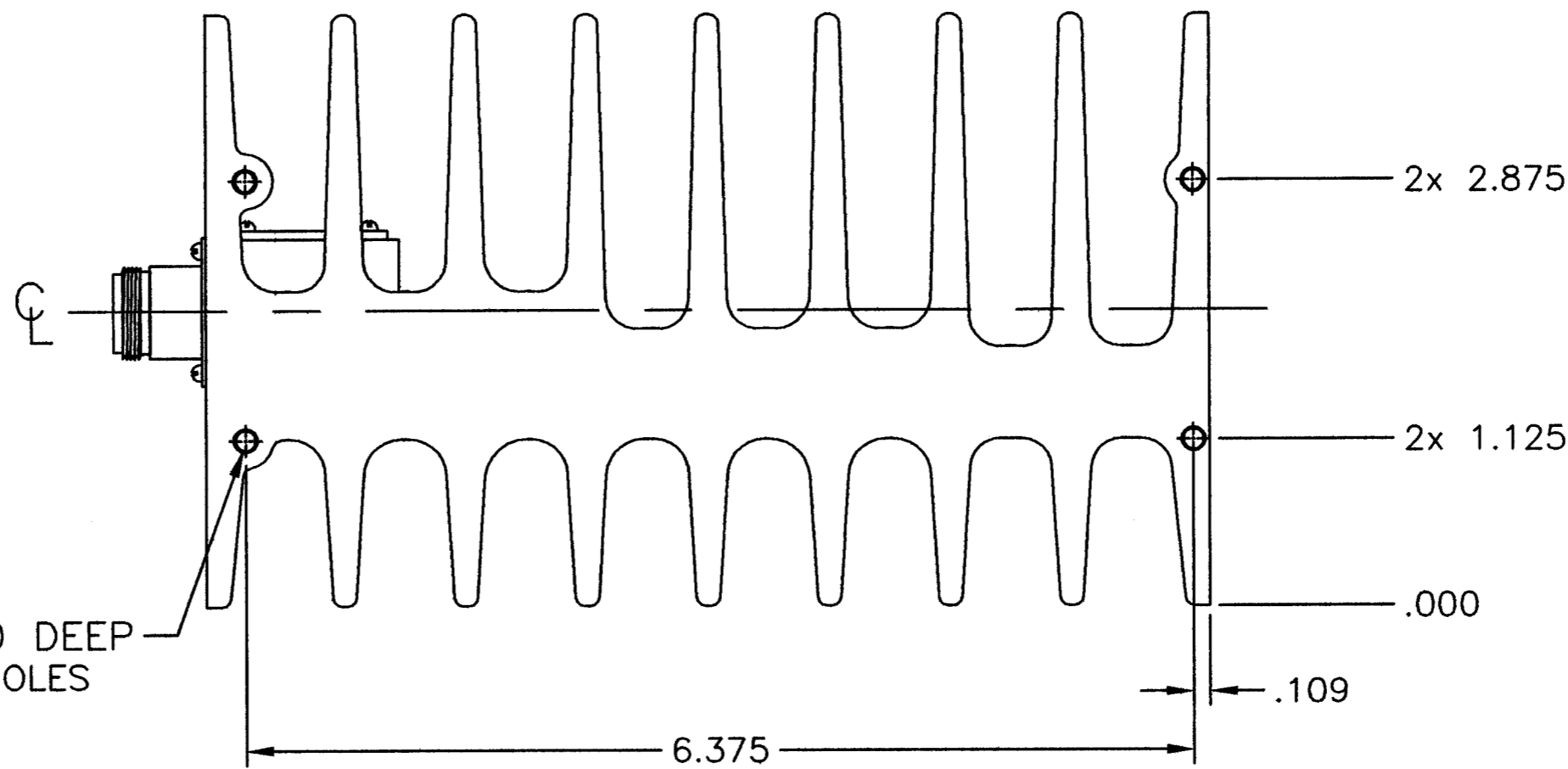
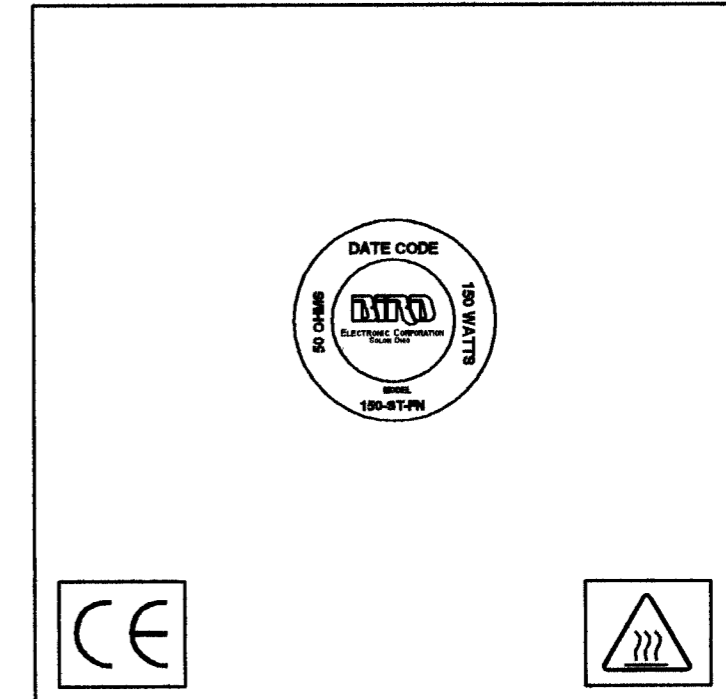
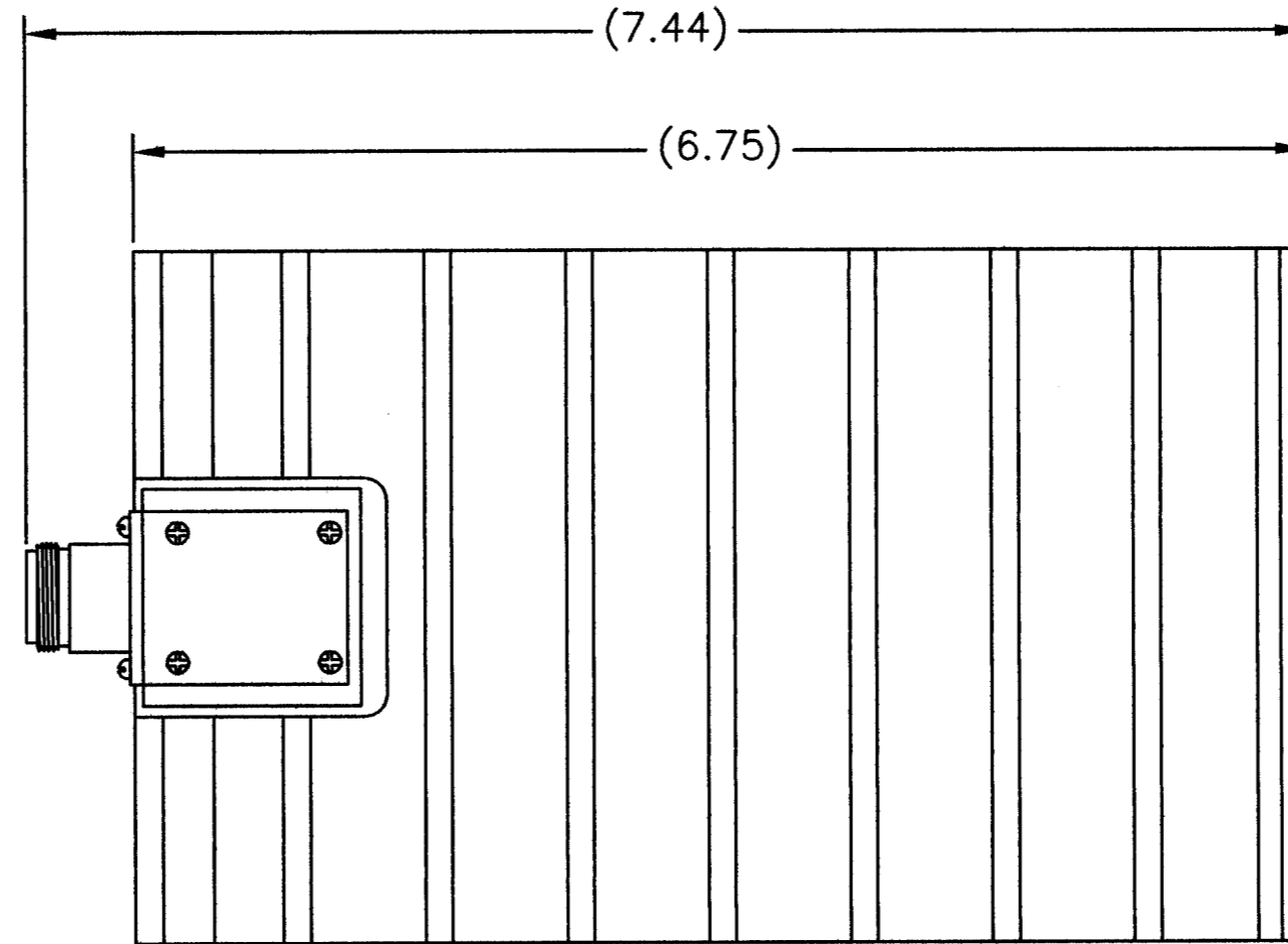
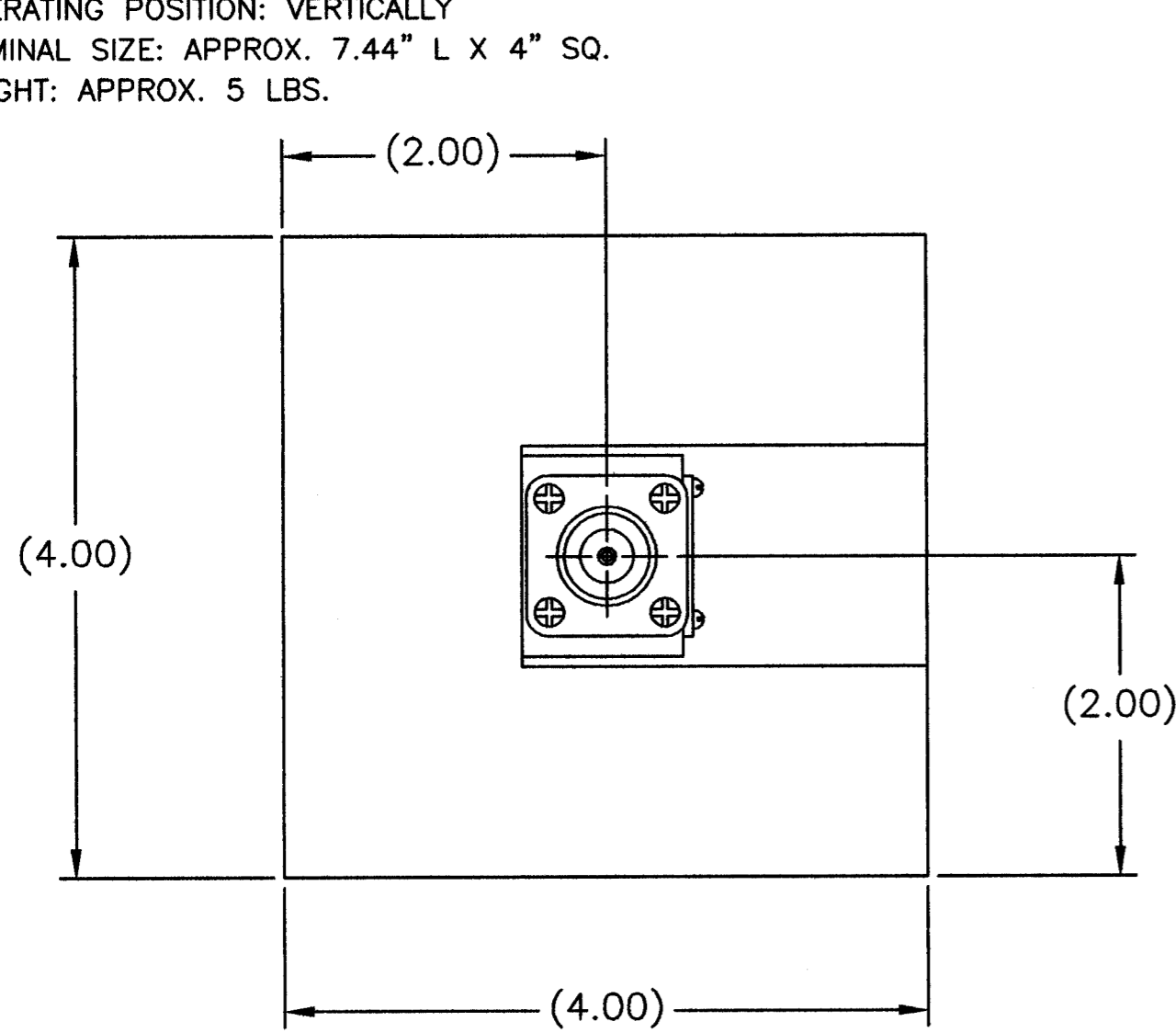


IMPEDANCE: 50 OHMS NOMINAL
 FREQUENCY RANGE: DC TO 2.4GHz
 VSWR: DC TO 1GHz AT 1.10:1 MAX.
 1GHz TO 2.4GHz AT 1.25:1 MAX.
 POWER RATING: 150 WATTS MAX. @ 40°C.
 180 WATTS MAX. @ 25°C.
 COOLING FIN: ALUMINUM, BLACK ANODIZED
 HEAT SPREADER: ALUMINUM, TRI-ALLOY PLATED
 CONNECTOR: N-TYPE FEMALE, TRI-ALLOY PLATED
 OPERATING POSITION: VERTICALLY
 NOMINAL SIZE: APPROX. 7.44" L X 4" SQ.
 WEIGHT: APPROX. 5 LBS.

REVISIONS		DWG. NO.	150-ST-FN	SHEET	REV
ZONE	REV	DESCRIPTION	DATE	APPROVED	
	A	RELEASED TO PRODUCTION	12-15-98		MDU



- NOTES:
- ☑ 1. PART MUST BE BURR FREE.
 - ☑ 2. CHAMFER 1st THREAD.
 - ☑ 3. 63 MICRINCH UNLESS OTHERWISE SPECIFIED.
 - ☐ 4. PER BPS _____.
 - ☑ 5. .005 RADIUS ON ALL INSIDE & OUTSIDE CORNERS UNLESS OTHERWISE SPECIFIED.

DIMENSIONS HEREON ARE FOR CUSTOMER
 CONVENIENCE AND REFERENCE ONLY.
 TOLERANCE TO BE APPLIED ONLY WHERE
 INDIVIDUALLY STATED ON THE RESPECTIVE
 DIMENSION. -DO NOT SCALE DRAWING-

UNLESS OTHERWISE SPECIFIED DIMENSIONS ARE IN INCHES TOLERANCES ARE:		MILLIMETERS .X= ±.4 .XX= ±.12		THIS DRAWING IS THE PROPERTY OF THE BIRD ELECTRONIC CORPORATION. THE DESIGNS AND SPECIFICATIONS DISCLOSED HEREON ARE PROPRIETARY AND SHALL NOT BE REPRODUCED, NOR COPIED, NOR USED AS THE BASIS FOR THE MANUFACTURE OR SALE OF APPARATUS OR DEVICES WITHOUT THEIR EXPRESS WRITTEN CONSENT.		BIRD Electronic Corporation Cleveland (Solon) Ohio USA	
DO NOT SCALE DRAWING		APPROVALS		DATE		TITLE	
MATERIAL		DRAWN		8-7-02		TERMINATION, N-TYPE FEMALE, 150W	
FINISH		CHECKED		DATE		SIZE FSCM NO. DWG. NO. REV	
		APPROVED		1-13-03		C 70998 150-ST-FN A	
		AUTOCAD		SCALE 1:1		COMM CODE LD1 SHEET 1 OF 1	